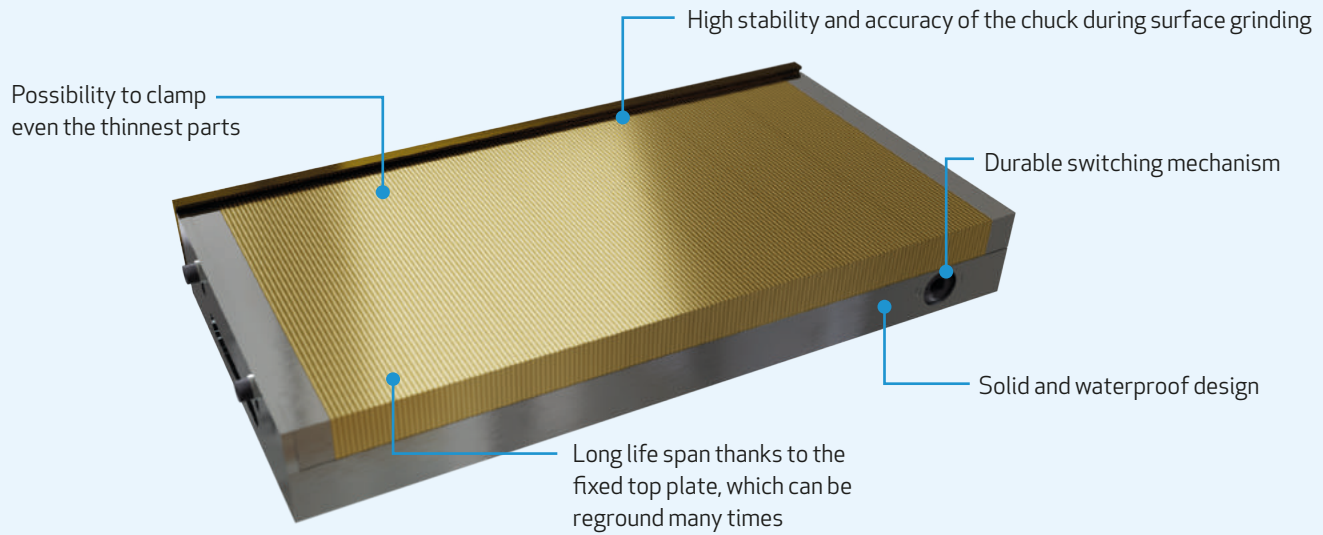


Neomicro



When to choose a Neomicro magnetic chuck:

The Neomicro permanent chuck with an exceptional holding force combines high quality with a favourable price. It is simple and low maintenance clamping device. It is suitable primarily as an accessory to grinders intended for precise surface grinding of very small and thin parts up to large workpieces. It is suitable for electrical discharge machining.

APPLICATION



Grinding

TECHNOLOGY



Permanent

CHUCK DIMENSION



from 70 x 140 mm

HOLDING FORCE



100 N/cm²

POLES



Transverse

Model	W (mm)	L (mm)	H (mm)	Weight (kg)
NEOC100175	100	175	49	7
NEOC100250	100	250	49	10
NEOC130255	130	255	49	13
NEOC150250	150	250	51	15
NEOC150300	150	300	51	18
NEOC150350	150	350	51	22
NEOC150400	150	400	51	25
NEOC150450	150	450	51	28
NEOC200400	200	400	51	33
NEOC200450	200	450	51	37
NEOC200500	200	500	51	41
NEOC200600	200	600	51	49
NEOC250500	250	500	56	56
NEOC300600	300	600	56	81

Important parameters:

Holding force:	100 N/cm ²
Min. workpiece size:	4 x 4 x 1 mm
Regrinding limit:	7 mm
Pole pitch:	T1,9 1,4+0,5 mm (steel/brass)

Use:

- + precise surface grinding of small and thin, as well as large parts
- + also suitable for electrical discharge machining (EDM)

