

# EMCU control units



## When to choose solenoid control units:

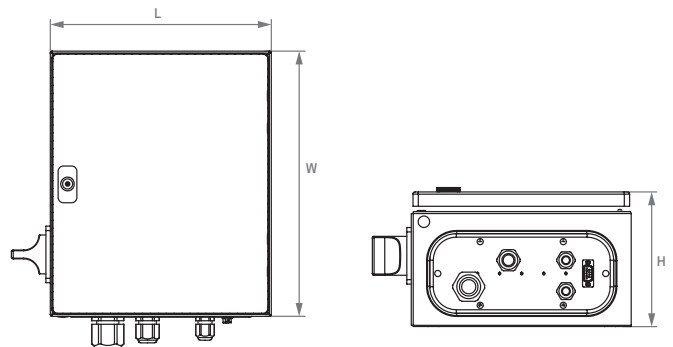
This series of units is used to power and control 110 VDC Walmag electromagnetic chucks. We can offer different versions according to the input supply voltage – 110V, 200 - 230V, 380 - 460V 50/60 Hz. The standard version of the units is in a steel enclosure (IP54). A version for direct installation in the machine cabinet (IP00) is available on request. The units are equipped with a safe magnetization level control function.

Available power versions are 150, 630, 1250, 2500W.

## EMCU control unit functions:

- + possibility of controlling multiple switches at the same time
- + control by the U19 wired remote control
- + fully adjustable clamping force
- + possibility of connection with a PLC machine
- + networking support (connecting multiple units and fixtures in large assemblies)

Catalog number	W (mm)	L (mm)	H (mm)	Weight (kg)
EMCU 150W	300	200	120	4
EMCU 630W	300	250	150	5,8
EMCU 1250W	400	300	150	8
EMCU 2500W	400	300	150	8,5



The above parameters apply to the IP54 version of the unit